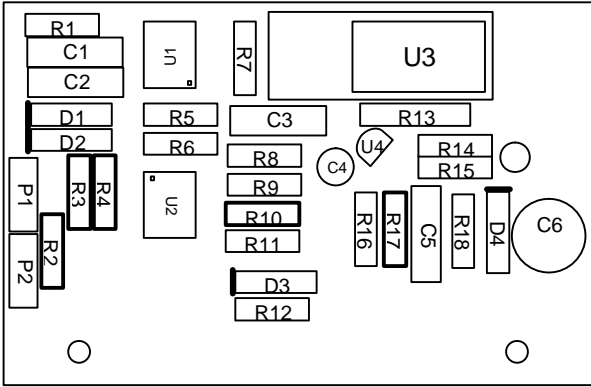
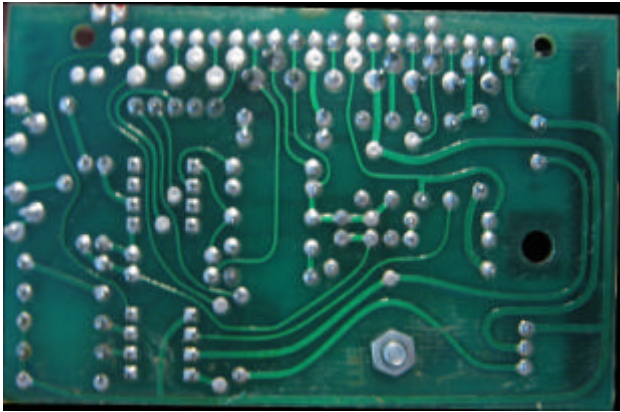
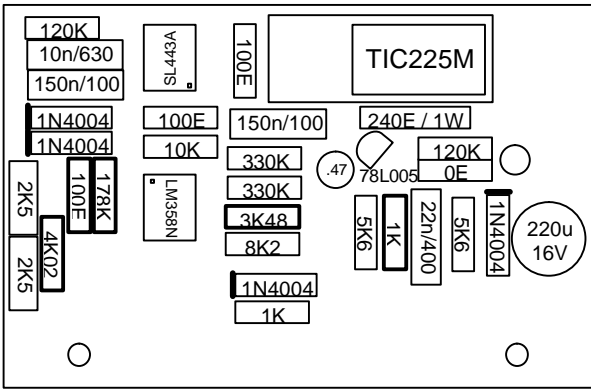
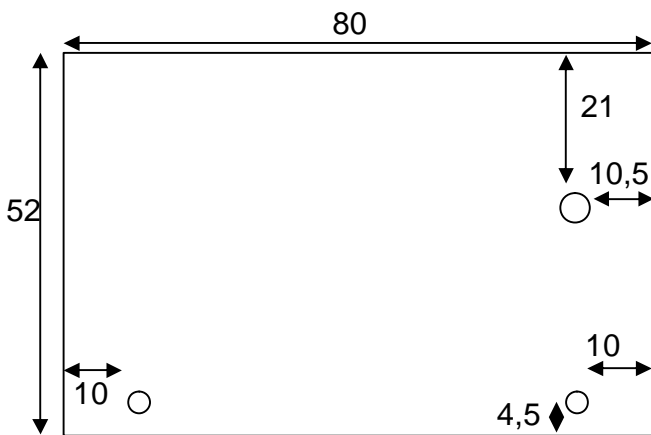


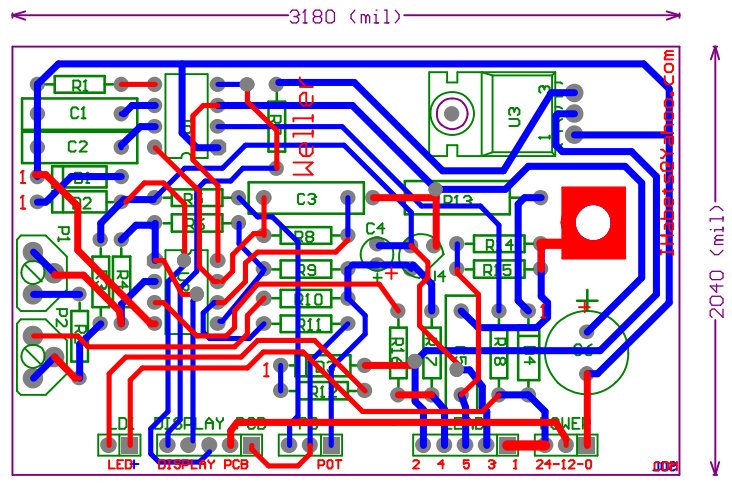
Service information

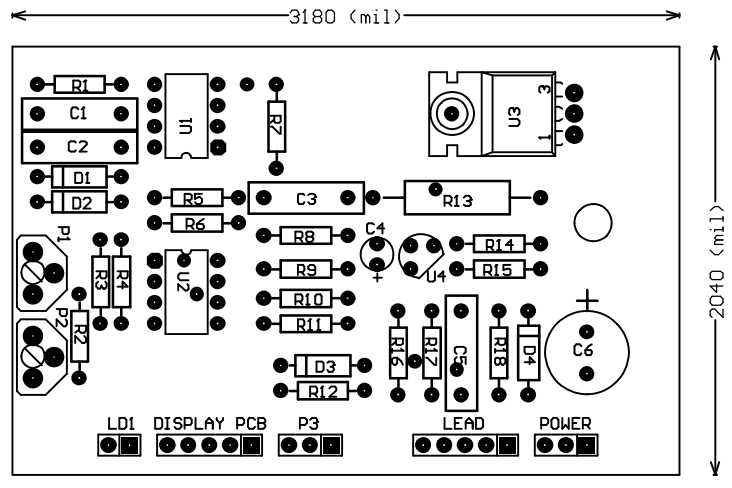


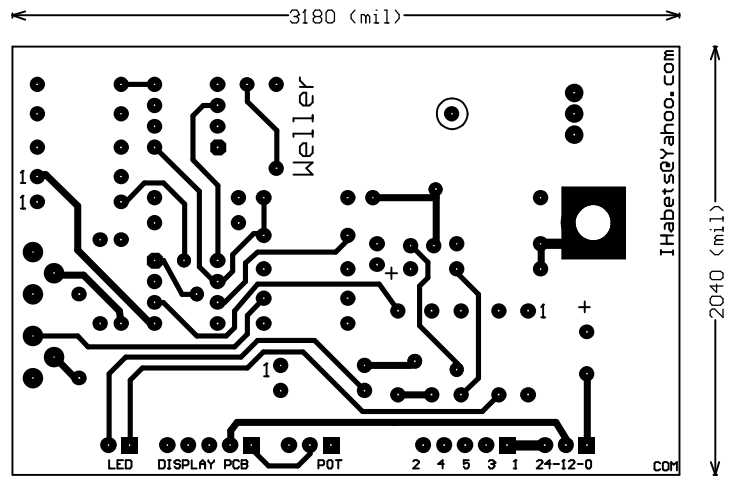
WELLER ©
EC-2002 Soldering station

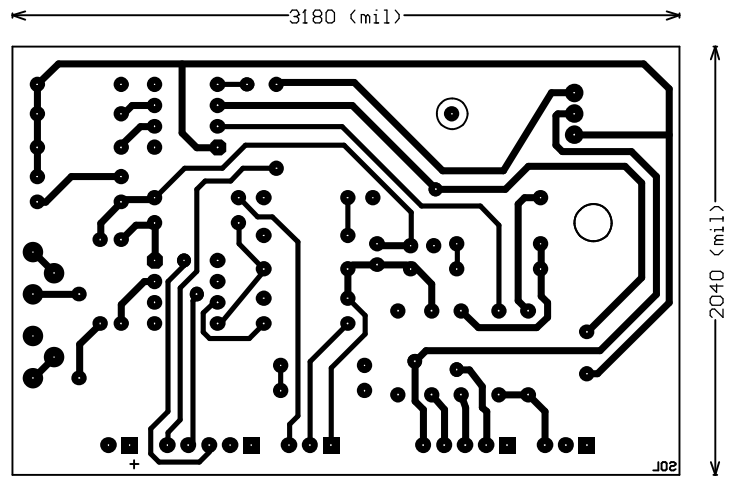
Weller EC-2002 CONTROL PCB



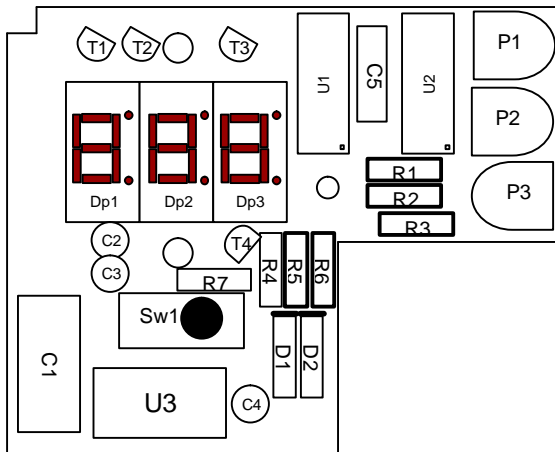
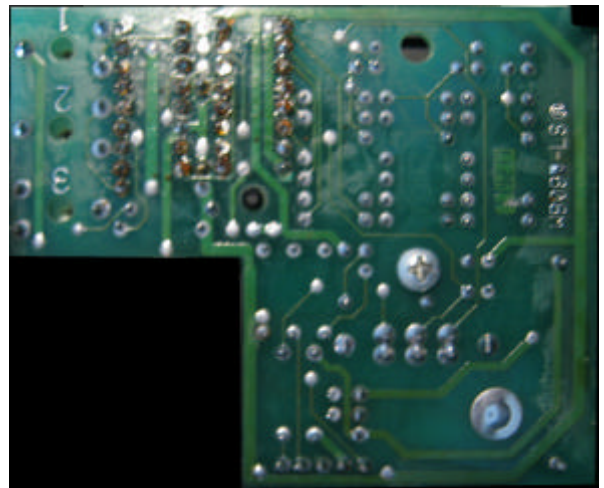
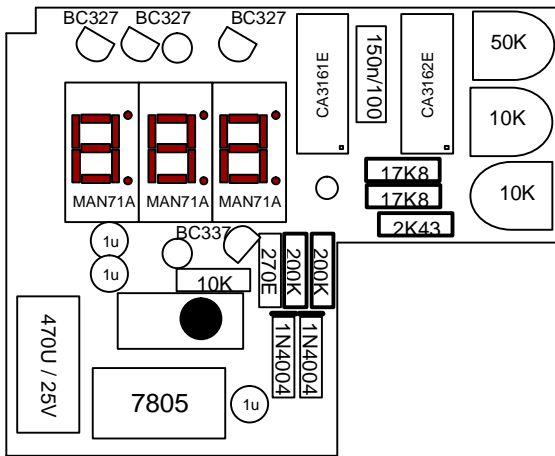
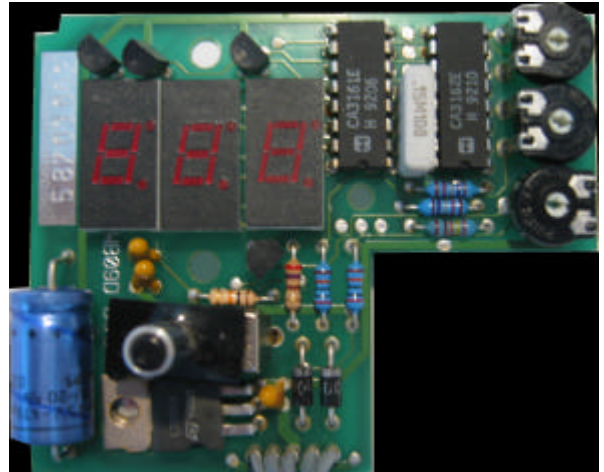
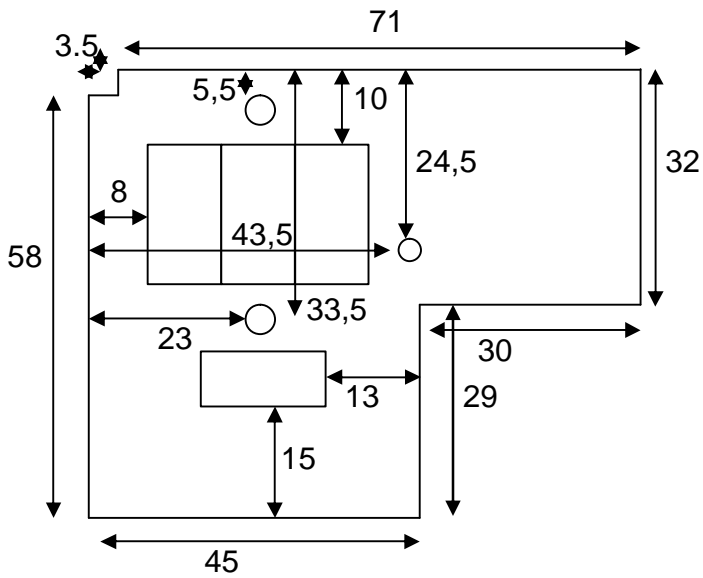


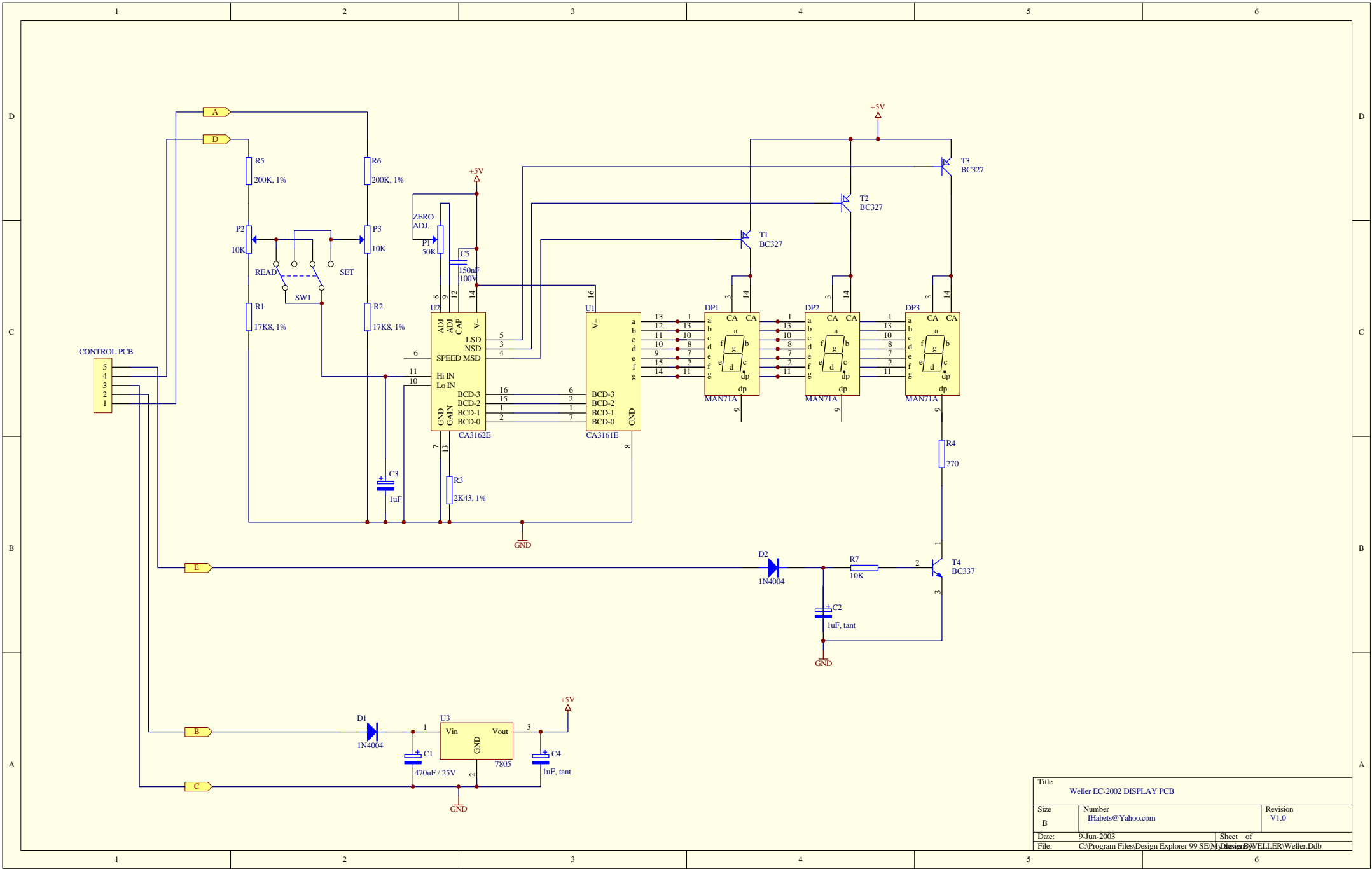






Weller EC-2002 DISPLAY PCB





Title		
Weller EC-2002 DISPLAY PCB		
Size	Number	Revision
B	IHabets@Yahoo.com	V1.0
Date:	9-Jun-2003	Sheet of
File:	C:\Program Files\Design Explorer 99 SEM\DESIGN\WELLER\Weller.Ddb	

